

15" TOUCH PANEL PC

MODEL:
SYN-15TPPC770ST-I5
SYN-15TPPC770HB-I5

Specifications

Display	
LCD Dimension	15.0"
Aspect Ratio	4:3
Active Area	Horizontal: 304 mm, Vertical: 228 mm
Resolution	1024 x 768 @60 MHz
Color	16.70 Mega (24 bit ture color)
Brightness (typical)	400 cd/m ² (SYN-15TPPC770ST-I5) 1000 cd/m ² (SYN-15TPPC770HB-I5)
Contrast Ratio	500:1
Viewing Angle	Horizontal: ± 70° or 140° Vertical: ± 60/50° or 110°
Service life of backlight	50,000 hours to half brightness
Touch Technology	Resistive touch screen
System Hardware	
Processor	Intel® Core™ i5 - 3320M 2.6Ghz CPU
Chip set	Intel® Panther Point (PCH) QM77
Memory	DDR3 SO-DIMM 4GB, Max up to 16GB
Storage	1 x 2.5" SATA HDD or SSD
I/O Interface	VGA, HDMI, built-in 4xUSB 4xCOM
Ethernet	2 x Intel GbE
Power Consumption	
Power Supply	Type: power adapter Output : 12V 5A(STD),12V 7A(Option)
Input Voltage	Computer: DC IN + 12V Power adapter: 100-240 VAC, 50-60MHz
Power Consumption	< 60W
Environmental Conditions	
Operation Temperature	Operation: 0°C to 50°C, Storage: -20°C to 60°C
Operation Humidity	Operation: 20%-90%RH, Storage: 10%-90%RH
General	
Mounting	VESA installation hole of 75x75mm
Dimension	403W x 302H x 78D mm 482W x 311H x 78D mm (for rackmount)



SYNERTRON TECHNOLOGY, INC.

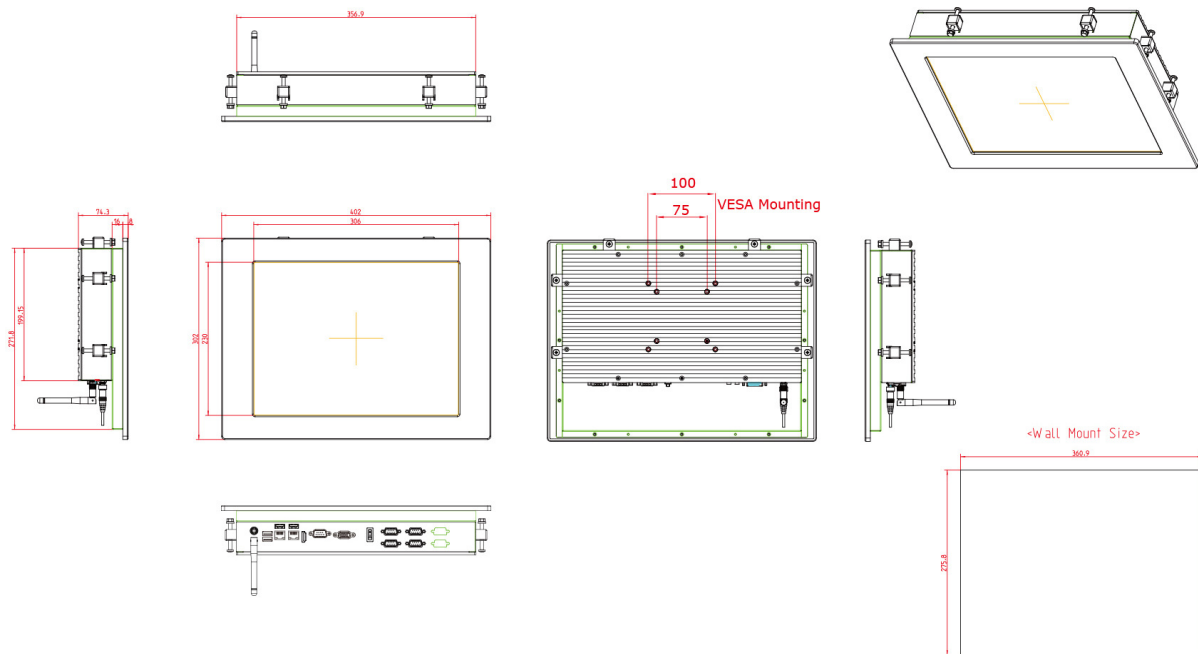
Tel 562-204-0298
 Fax 562-204-0299

12960 Sunnyside Place
 Santa Fe Springs CA 90670

<http://www.synertrontech.com/>
info@synertrontech.com

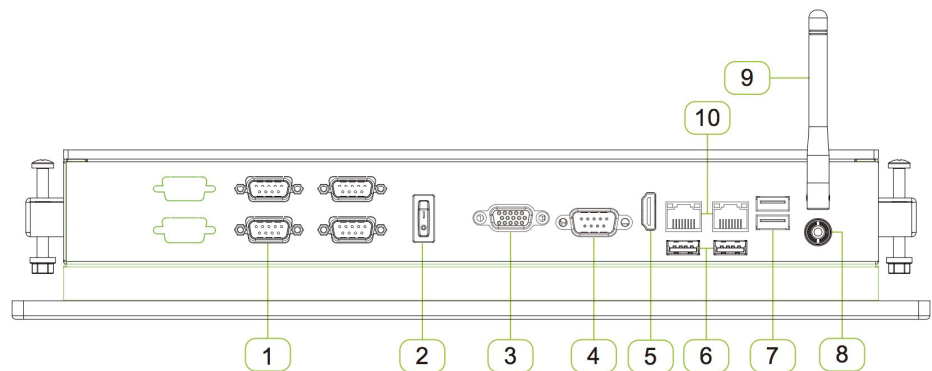


The mechanical drawing incl. Panel PC drawing and wall mount cutting size.



Rear Panel

No	Function
1	Extra COM port x 4, 2 for option
2	Power Switch
3	VGA
4	COM port
5	HDMI
6	USB 2.0 x 2
7	USB 3.0 x 2
8	DC IN
9	Antenna (option)
10	Ethernet x 2



SYNERTRON TECHNOLOGY, INC.

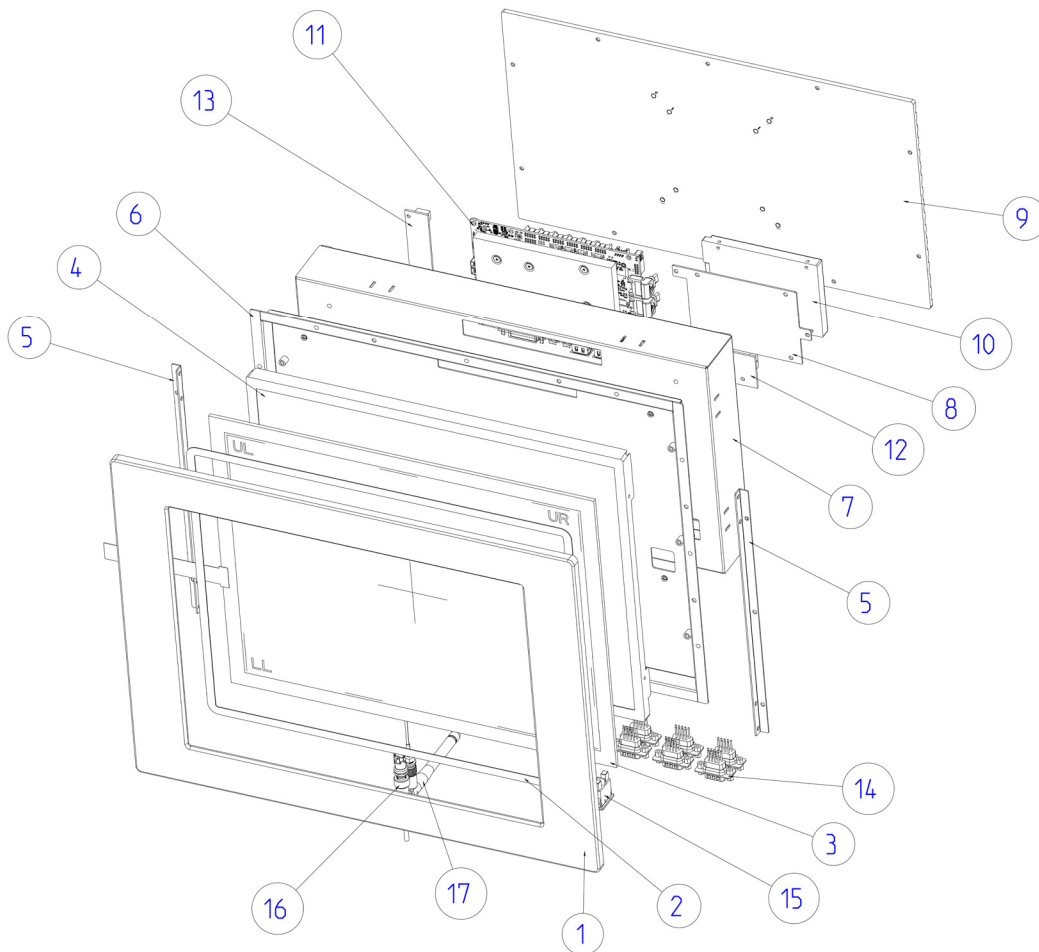
Tel 562-204-0298
Fax 562-204-0299

12960 Sunnyside Place
Santa Fe Springs CA 90670

<http://www.synertrontech.com/>
info@synertrontech.com



The exploded view drawing shows all mechanical parts and how they fit together.



No	PART NAME	No	PART NAME
1	Front Cover	10	2.5" HDD (option)
2	Sponge	11	Mainboard
3	Touch Screen	12	LCD control Board
4	LCD	13	Touch Panel Board
5	LCD Bracket	14	COM Port
6	Screen Cover	15	Switch
7	Bezel	16	DC
8	HDD Bracket	17	Antenna (option)
9	Back Cover		

SYNERTRON TECHNOLOGY, INC.

Tel 562-204-0298
 Fax 562-204-0299

12960 Sunnyside Place
 Santa Fe Springs CA 90670

<http://www.synertrontech.com/>
info@synertrontech.com

