

# 17" TOUCH PANEL PC

MODEL:  
SYN-17TPPC770-I5

## Specifications

Display	
LCD Diagonal Dimension	432 mm (17.0 inch)
Aspect Ratio	4:3
Active Area	Horizontal: 337.9 mm Vertical: 270.3 mm
Resolution	1280 x 1024
Color	16.70 Mega (24 bit true color)
Luminance	Liquid crystal plane: 350 cd/m <sup>2</sup>
Contrast Ratio	800:1
Viewing Angle	Horizontal: ± 70 ° or 140 ° Vertical: ± 50/70 ° or 120 °
LCD Backlight Lifetime	50,000 hours to half brightness
Touch Technology	Resistive touch screen
System Hardware	
Processor	Intel® Core™ i5-3320M Processor
Chip set	Intel® Panther Point (PCH) QM77
Memory	DDR3 SO-DIMM 4GB, Max up to 16GB
Storage	2.5" SATA HDD or SSD
I/O Interface	VGA, HDMI, built-in 4xUSB 4xCOM
Ethernet	2 x Intel® GbE
Power Consumption	
Power Supply	Type: Power adapter Output: 12V 7A (STD), 12V 10A (Option)
Input Voltage	Computer: DC IN + 12V Power adapter: 100-240 VAC, 50-60MHz
Power Consumption	< 80W
Environmental Conditions	
Operation Temperature	0°C~50°C for HDD, -20°C~60°C for SSD
Operation Humidity	5 ~ 90% @ 39°C, non-condensation
General	
Mounting	VESA installation hole of 75x75mm
Dimension	417.3W x 330.4H x 78D mm (STD) 417.3W x 330.4H x 90D mm (for i3, i5, i7)
Weight	6.0 Kg (78mm STD) 7.9 Kg (90mm for i3, i5, i7)



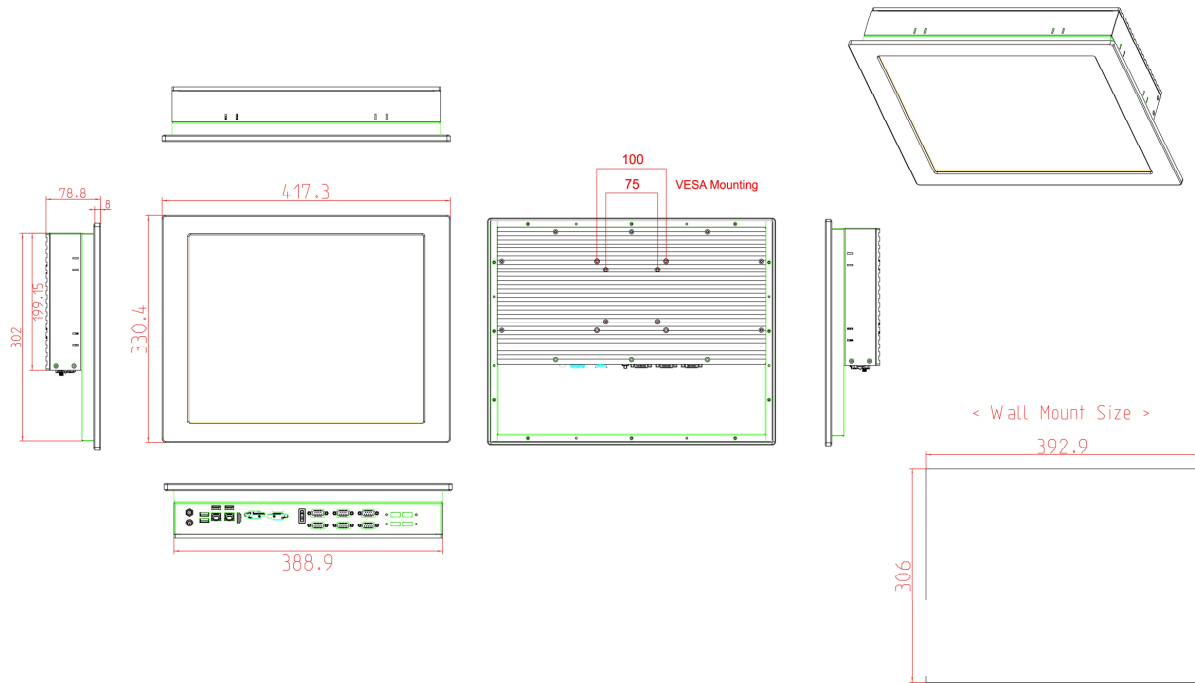
SYNERTRON TECHNOLOGY, INC.

Tel 562-204-0298  
Fax 562-204-0299

12960 Sunnyside Place  
Santa Fe Springs CA 90670

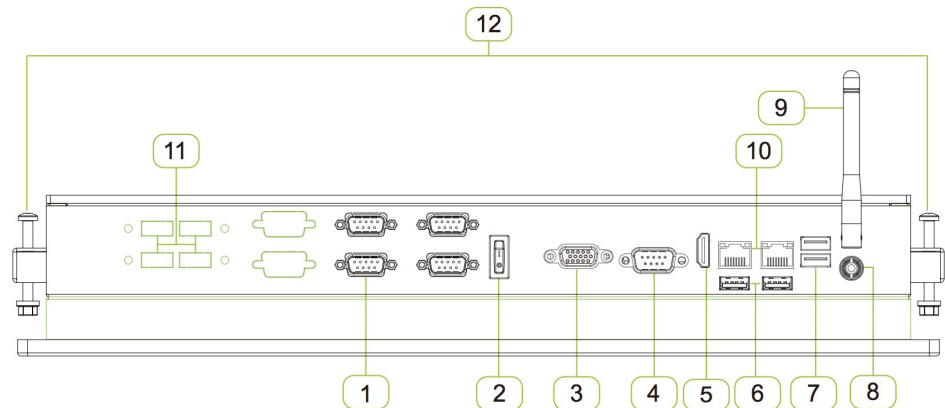
<http://www.synertrontech.com/>  
[info@synertrontech.com](mailto:info@synertrontech.com)





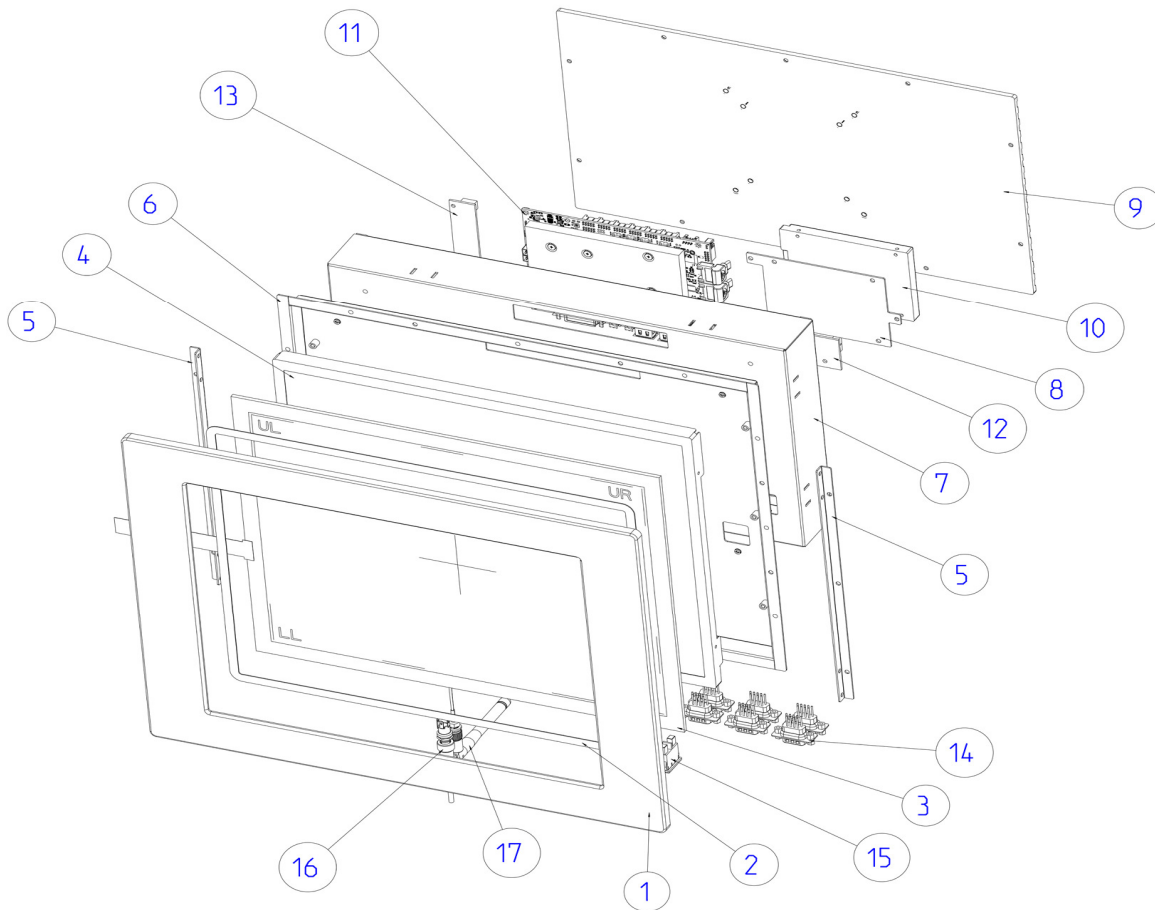
Rear Panel

No	Function
1	Extra COM port x 4, 2 for option
2	Power Switch
3	VGA
4	COM port
5	HDMI
6	USB 2.0 x 2
7	USB 3.0 x 2
8	DC IN
9	Antenna (option)
10	Ethernet x 2
11	Extra USB 2.0 x 4 (option)
12	Panel Mounting kit (option)



SYNERTRON TECHNOLOGY, INC.

The exploded view drawing shows all mechanical parts and how they fit together.



No	PART NAME	No	PART NAME
1	Front Cover	10	2.5" HDD (option)
2	Sponge	11	Mainboard
3	Touch Screen	12	LCD control Board
4	LCD	13	Touch Panel Board
5	LCD Bracket	14	COM Port
6	Screen Cover	15	Switch
7	Bezel	16	DC
8	HDD Bracket	17	Antenna (option)
9	Back Cover		

## SYNERTRON TECHNOLOGY, INC.

Tel 562-204-0298  
Fax 562-204-0299

12960 Sunnyside Place  
Santa Fe Springs CA 90670

<http://www.synertrontech.com/>  
[info@synertrontech.com](mailto:info@synertrontech.com)

